

Shear Connectors



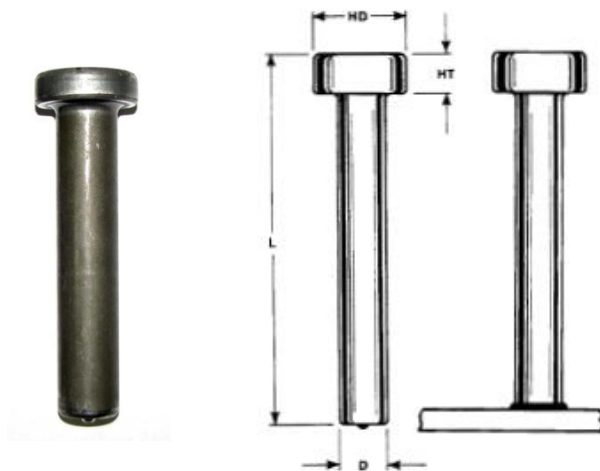
Shear Connectors

Headed Shear Connectors are used as an essential component in composite beam design and construction.

Shank Diameter (d)	Length (L) tolerance	Head Diameter tolerance	Minimum head height HT
19.0 +0.00 -0.38	±1.6	31.7 ± 0.4	9.5
22.2 +0.00 -0.38	±1.6	34.9 ± 0.4	9.5

Material	LOW CARBON STEEL AS1445 S1010 to S1020 Or K1010 to K1020		
Mechanical Properties	Tensile Yield Elongation Reduction of area		410MPa (min) 345MPa (min) 12% 50% (min)

Shear Connectors		
Size	Part Number	Pack Size
13 X 50	ESC11-13-050	250
13 X 75	ESC11-13-075	150
13 X 100	ESC11-13-100	125
16 X 75	ESC11-16-075	125
16 X 100	ESC11-16-100	100
16 X 150	ESC11-16-150	75
19 X 75	ESC11-19-075	100
19 X 95	ESC11-19-095	75
19 X 100	ESC11-19-100	75
19 X 105	ESC11-19-105	75
19 X 115	ESC11-19-115	60
19 X 120	ESC11-19-120	60
19 X 127	ESC11-19-127	60
19 X 150	ESC11-19-150	50
19 X 178	ESC11-19-178	45
19 X 198	ESC11-19-198	40
22 X 100	ESC11-22-100	50
22 X 125	ESC11-22-125	50
22 X 150	ESC11-22-150	40
22 X 178	ESC11-22-178	40
22 X 198	ESC11-22-198	35



FERRULE



Note Ferrules are a component part of studs and not sold separately



Solutions for the Mining, Minerals Processing & Infrastructure Industries

Distributed by: ANTEC ENGINEERING PTY LTD
9 Chicago Avenue, Blacktown, NSW, 2148, Australia
Ph : +61 (02) 9622-9622 | Fax: +61 (02) 9622-9199
www.antec.com.au