

Hex Mesh

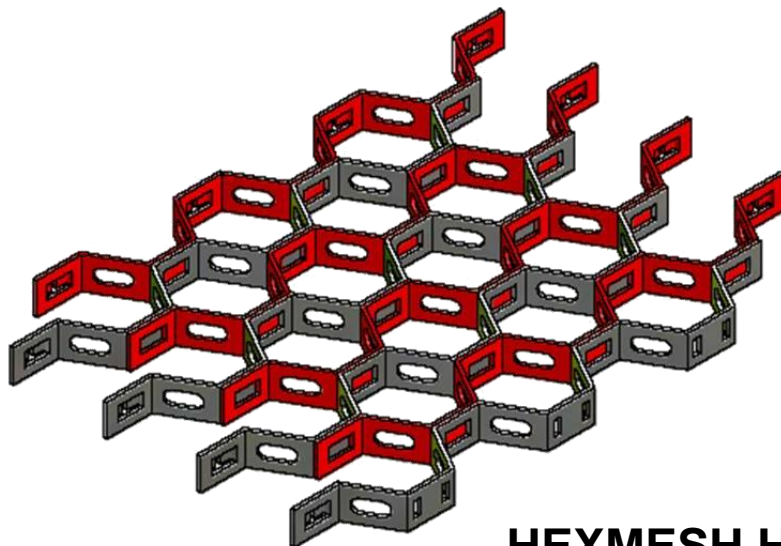


Sample Catalogue

Antec has been manufacturing hexagonal mesh for more than two decades, so we understand the strict performance and technical requirements that exist across a range of industries, including the major oil companies.

Whether you need standard size panels, custom-shapes or rolled products, Antec has the equipment, expertise and experience to meet your needs quickly and cost-effectively.

- Automated laser cut production facilities for speed and consistency
- Extensive selection of common shapes and sizes in stock including punch tabs
- Full in-house design and manufacturing for fast turnarounds on custom designs
- Range of stainless steel and carbon steel in stock and ready to go including alloy 304, 310, 253MA. Other materials can be supplied on request.
- Flexibility to deliver many specialty applications such as wear resistant materials
- Contact us for detailed drawings and specifications on our range



HEXMESH H TYPE
(with bonding holes)



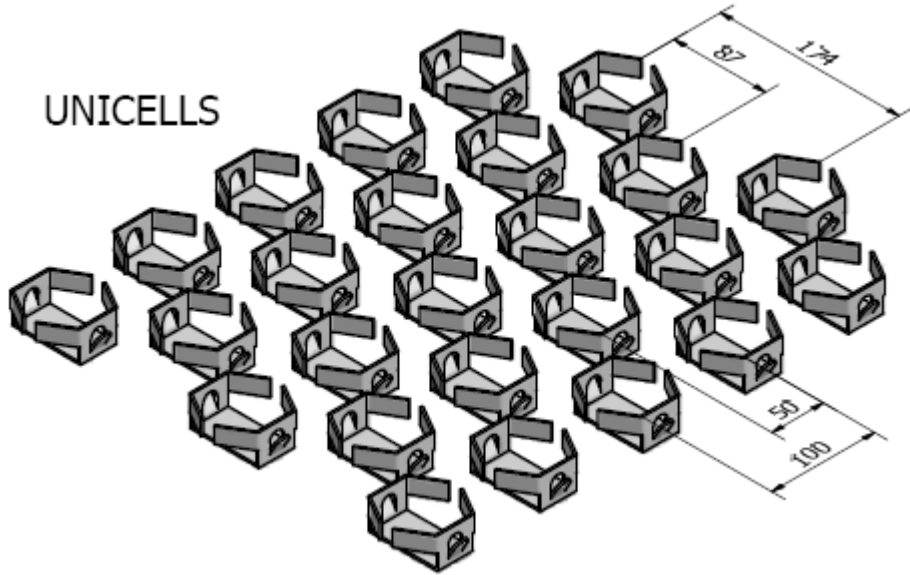
Solutions for the Mining, Minerals Processing
& Infrastructure Industries

Distributed by: **ANTEC ENGINEERING PTY LTD**
9 Chicago Avenue, Blacktown, NSW, 2148, Australia
Ph : +61 (02) 9622-9622 | Fax: +61 (02) 9622-9199
www.antec.com.au

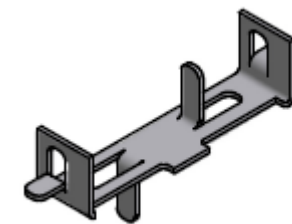
Hex Mesh



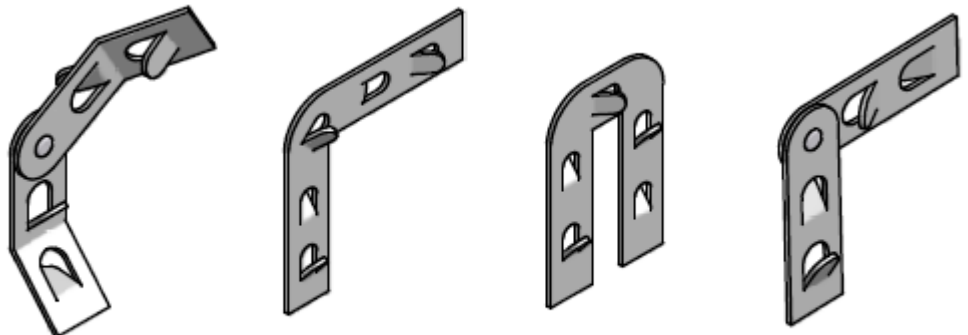
UNICELLS



SC 1
SINGLE HEX
ANCHOR



**CUSTOM DESIGNED
PUNCH TABS**



PUNCH TABS



Solutions for the Mining, Minerals Processing
& Infrastructure Industries

Distributed by: ANTEC ENGINEERING PTY LTD
9 Chicago Avenue, Blacktown, NSW, 2148, Australia
Ph : +61 (02) 9622-9622 | Fax: +61 (02) 9622-9199
www.antec.com.au